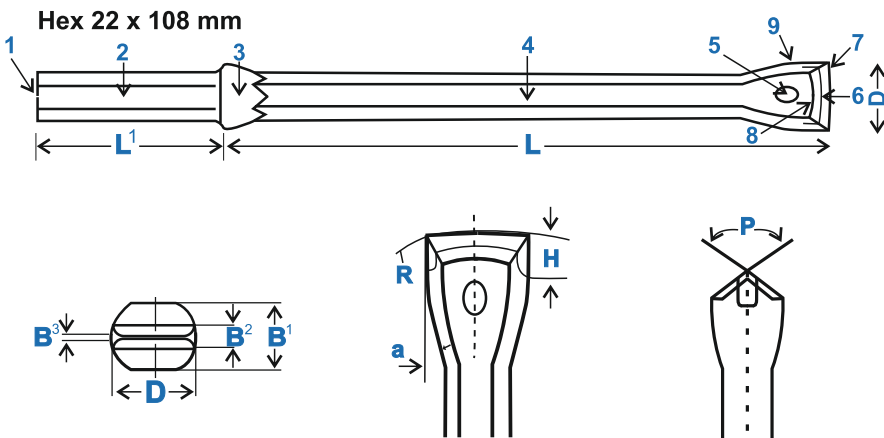


Series	Length (L)		Bit Diameter (D)		Weight [Appx.]		Part #	Ref. part #
	mm	ft	mm	inch	kg	lb		
11	400	1'3"	35	1.35	1.50	3.00	11-400-35	-
	800	2'7"	34	1.30	3.00	6.50	11-800-34	714-0834,05-02
	1600	5'3"	33	1.25	5.40	12.00	11-1600-33	714-1633,05-02
	2400	7'10"	32	1.20	7.90	17.50	11-2400-32	714-2432,05-02
	3200	10'6"	31	1.18	10.30	22.50	11-3200-31	714-3231,05-02
	4000	13'1"	30	1.14	12.60	27.70	11-4000-30	714-4030,05-02
	4800	15'9"	29	1.10	15.10	33.20	11-4800-29	714-4829,05-02
	5600	18'4"	28	1.06	17.60	38.70	11-5600-28	714-5628,05-02
	6400	21'	27	1.02	19.90	43.80	11-6400-27	714-6427,05-02
	7200	23'8"	26	0.98	22.30	49.00	11-7200-26	714-7226,05-02
8000	26'3"	26	0.94	25.00	55.00	11-8000-25	714-8026,05-02	
12	400	1'3"	41	1.61	1.50	3.00	12-400-41	-
	800	2'7"	40	1.56	3.00	6.50	12-800-40	714-0840,05-02
	1600	5'3"	39	1.53	5.40	12.00	12-1600-39	714-1639,05-02
	2400	7'10"	38	1.50	7.90	17.50	12-2400-38	714-2438,05-02
	3200	10'6"	37	1.46	10.30	22.50	12-3200-37	714-3237,05-02
	4000	13'1"	36	1.40	12.60	27.70	12-4000-36	714-4036,05-02
	4800	15'9"	35	1.38	15.10	33.20	12-4800-35	714-4835,05-02
	5600	18'4"	34	1.35	17.60	38.70	12-5600-34	714-5634,05-02
	6400	21'	33	1.30	19.90	43.80	12-6400-33	714-6433,05-02
	7200	23'7"	32	1.30	22.30	49.00	12-7200-32	714-7232,05-02
8000	26'3"	31	1.22	25.00	55.00	12-8000-31	714-8031,05-02	
13	400	1'3"	34	1.35	1.70	3.75	13-400-34	714-0434,05-02
	800	2'7"	33	1.30	3.00	6.60	13-800-33	714-0833,05-02
	1200	3'11"	32	1.25	4.20	9.25	13-1200-32	714-1232,05-02
	1600	5'3"	31	1.22	5.30	11.70	13-1600-31	714-1631,05-02
	2000	6'6"	30	1.19	6.50	14.30	13-2000-30	714-2030,05-02
16	600	1'11"	35	1.37	2.40	5.30	16-600-35	714-0635,05-02
	1200	3'11"	34	1.34	4.20	9.25	16-1200-34	714-1234,05-02
	1800	5'11"	33	1.31	6.10	13.50	16-1800-33	714-1833,05-02
	2400	7'10"	32	1.25	7.90	17.40	16-2400-32	714-2432,05-02
17	600	1'11"	41	1.62	2.40	5.30	17-600-41	714-0641,05-02
	1200	3'11"	40	1.56	4.30	9.25	17-1200-40	714-1240,05-02
	1800	5'10"	39	1.53	6.10	13.50	17-1800-39	714-1839,05-02
	2400	7'10"	38	1.50	7.80	17.40	17-2400-38	714-2438,05-02



E^1	Bit thickness	1	Striking surface
E^2	Insert width	2	Shank
E^3	Width of cutting edge	3	Collar
G	Bit diameter	4	Stem
L	Effective drill - steel length	5	Flushing hole
l^1	Shank length	6	Carbide insert
\bar{r}	Cutting edge radius	7	Cutting edge
H	Insert height	8	Wing
a	Clearance angle	9	Bit end
p	Cutting edge angle		

All manufacturer's names, numbers, photos, product description and/or part numbers are used for reference purposes only & it is not implied that any part listed is the product of these manufacturers

RAMA MINING TOOLS

3 October 2023